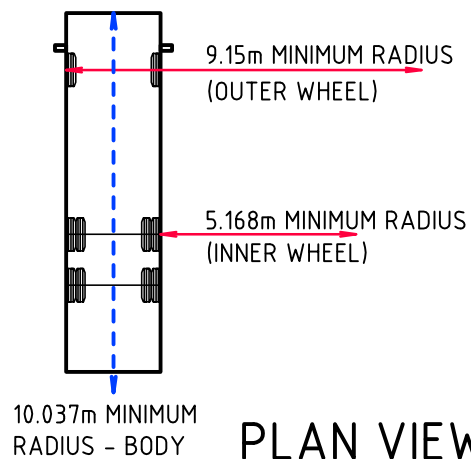
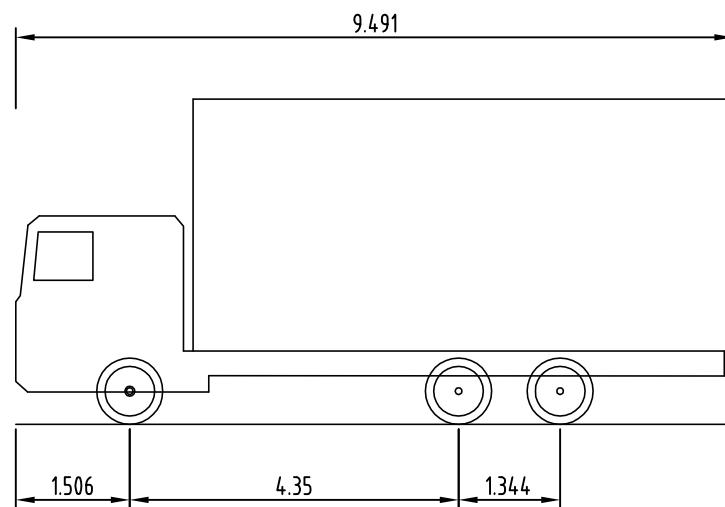


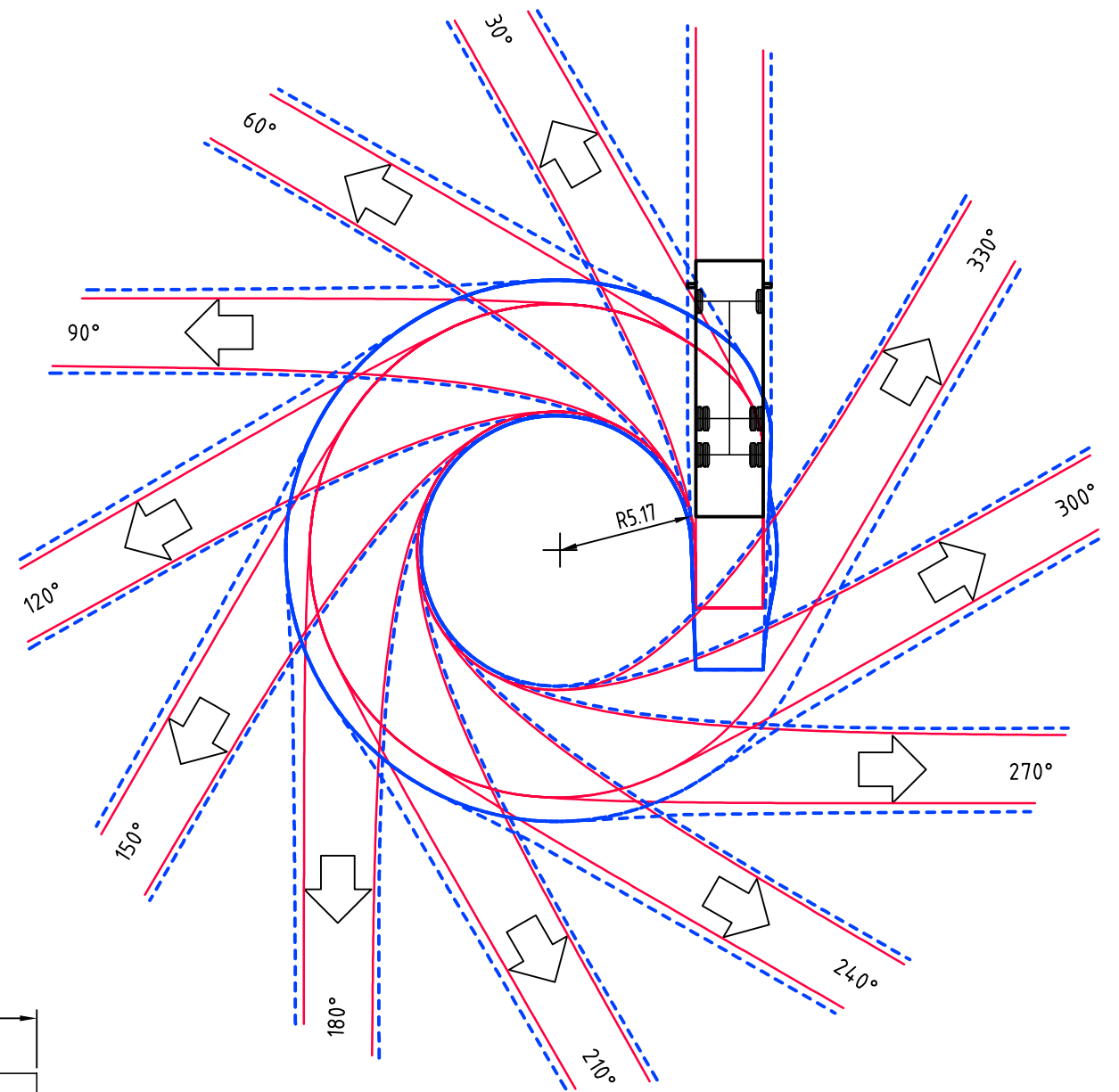
RIGHT HAND TURN
SCALE 1:250



PLAN VIEW
SCALE 1:200



SIDE VIEW
SCALE 1:10



LEFT HAND TURN
SCALE: 1:250

KEY:
 BODY TRACK
 WHEEL TRACK

NOTES:

CITY OF GOSNELLS WASTE SERVICES IVECO ACCO F2350G - EURO 4	
OVERALL LENGTH	9.491m
OVERALL WIDTH	2.500m
OVERALL BODY HEIGHT	4.300m
MINIMUM BODY GROUND CLEARANCE	0.427m
TRACK WIDTH	2.500m
LOCK TO LOCK TIME	4.00seconds
KERB TO KERB TURNING RADIUS	9.150m

AMENDMENTS	REVISION	DATE	DESCRIPTION	BY	CHECKED	APPROVED

- GENERAL NOTES**
1. THIS DRAWINGS ALWAYS REMAINS THE PROPERTY OF THE CITY OF GOSNELLS AND MUST NOT BE RETAINED OR REPRODUCED WITHOUT PERMISSION
 2. IN THE ABSENCE OF THE APPROVED SIGNATURE (ie MANAGER TECHNICAL SERVICES) THIS DRAWING SHALL BE TREATED AS PRELIMINARY
 3. ALL DIMENSIONS ARE IN MILLIMETRES UNLESS NOTED OTHERWISE

CITY OF GOSNELLS

2120 Albany Highway Gosnells 6110
 PO Box 662, GOSNELLS 6990
 WESTERN AUSTRALIA

Telephone 08 9391 3222
 Facsimile 08 9398 2922
 Online www.gosnells.wa.gov.au

STANDARD DRAWING
WASTE SERVICES TRUCK
SPECIFICATIONS & TURNING CIRCLES

DESIGN GR	DRAWN GL	DRAWING A3
SCALE AS SHOWN	CHECKED AT	DATE 30/06/2010

STANDARD DRAWING NUMBER
ES 57

MANAGER TECHNICAL SERVICES

 M. BOTTE