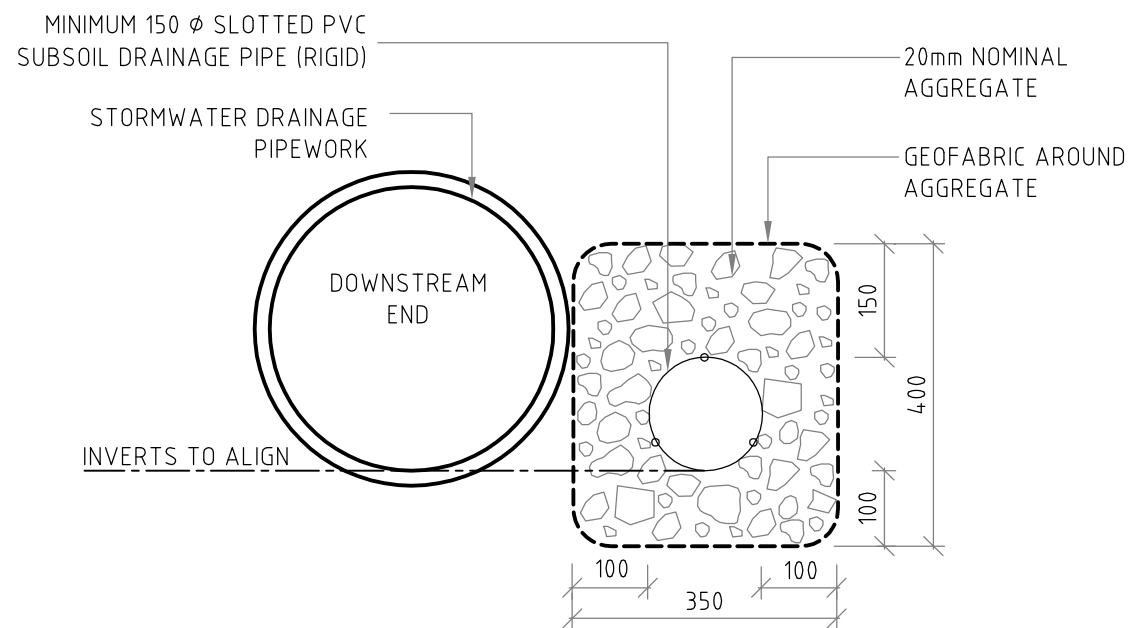
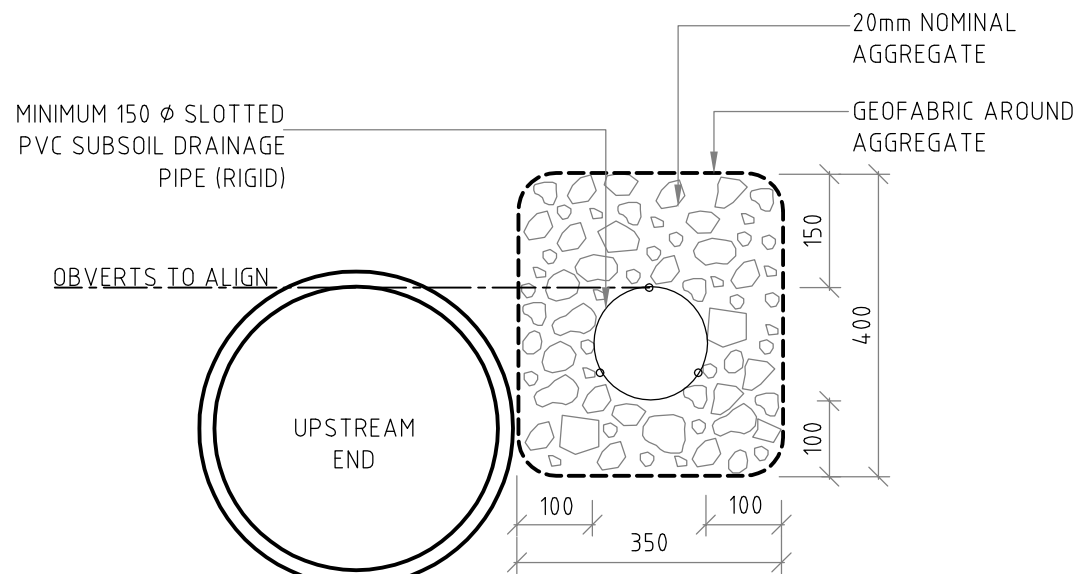


STANDARD SUBSOIL DRAINAGE DETAIL
SCALE N.T.S



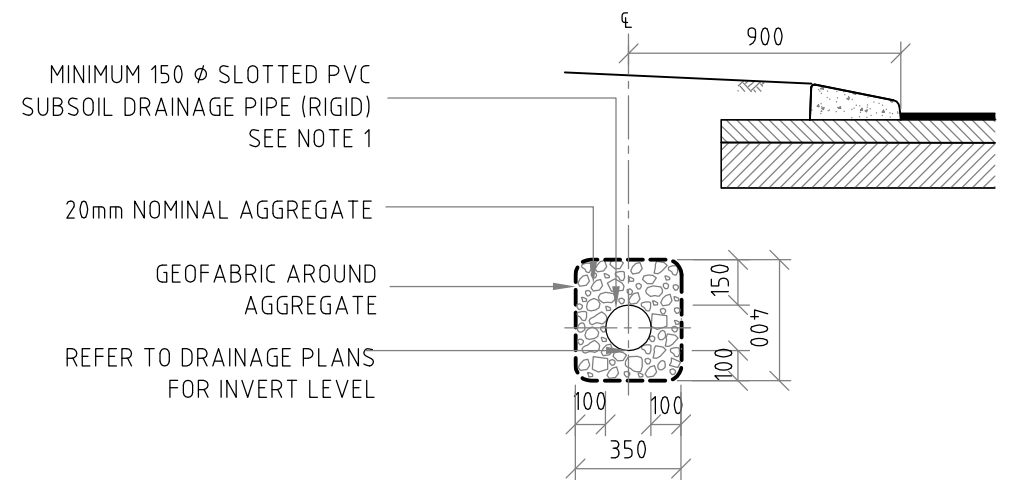
SECTION A
SCALE 1:10



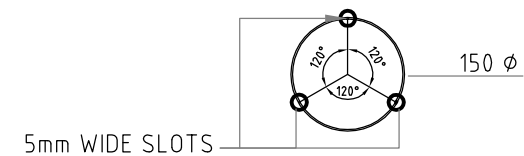
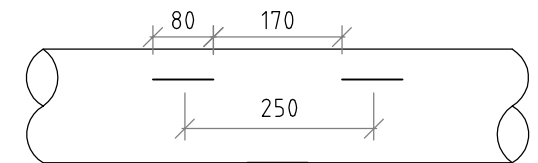
SECTION B
SCALE 1:10

STORMWATER DRAINAGE PIPEWORK

STANDARD SUBSOIL DETAIL APPLIES TO CLAY SITES/ LOCALIZED PERCHING ONLY AND WHERE GROUNDWATER IS >5m BELOW FINISHED SURFACE LEVEL. FOR GROUNDWATER CONTROL REFER TO SUBSOIL DETAIL FOR GROUNDWATER CONTROL



SUBSOIL DRAINAGE DETAIL FOR GROUNDWATER CONTROL
(SEPARATED SYSTEM - REFER TO NOTES 7 & 8) SCALE 1:25



TYPICAL SLOT LAYOUT
SCALE 1:10

NOTES:

- SUBSOIL DRAINAGE PIPES MUST COMPLY WITH AS2439-PART1, 1981 TYPE 2 RIGID OR SIMILAR PIPES APPROVED BY THE CITY
- PIPE CLASSIFICATION SN8
- SLOT CONFIGURATIONS OF SUBSOIL DRAINAGE TO BE EQUISPACED AROUND THE CIRCUMFERENCE AS PER AUSTRALIAN STANDARDS
- MINIMUM 1500mm² SLOTS/METRE OF PIPE
- SUBSOIL PIPE WORK TO BE PLACED ON THE VERGE SIDE OF THE STORMWATER DRAINAGE (TYPICAL)
- UPSTREAM END OF SUB-SOIL PIPE NOT CONNECTED TO LINER SHALL BE PROVIDED WITH A SURFACE RISER AND CIRCULAR CONCRETE OR CLASS B DUCTILE IRON OR CAST IRON MAINTENANCE COVER
- VARYING SUBSOIL ALIGNMENT MAY BE REQUIRED TO ACHIEVE GROUNDWATER CONTROL (ABSOLUTE MINIMUM GRADE 1:250, DESIRABLE GRADE 1: 200)
- LEVELS FOR SUBSOIL DRAINAGE LINE WILL BE DETERMINED BY LEVELS OF THE WATER TABLE AND MAY BE LOWER THAN THE STORMWATER LINE. DESIGNER SHALL SEEK DIRECTION FROM THE CITY
- GEOFABRIC TO BE BIDIM A14 OR SIMILARLY APPROVED MATERIAL

AMENDMENTS	REVISION	DATE	DESCRIPTION	BY	CHECKED	APPROVED
3	4/2/2015	LAYERS & DWG NO'S UPDATED	SA	MB	MB	
2	16/01/2014	ANNOTATION ADDED & UPDATED	SA	MJ	MB	
1	09/12/2011	UPDATE TITLE BLOCK	GL	MB	MB	

GENERAL NOTES

- THIS DRAWINGS ALWAYS REMAINS THE PROPERTY OF THE CITY OF GOSNELLS AND MUST NOT BE RETAINED OR REPRODUCED WITHOUT PERMISSION
- IN THE ABSENCE OF THE APPROVED SIGNATURE (ie MANAGER TECHNICAL SERVICES) THIS DRAWING SHALL BE TREATED AS PRELIMINARY
- ALL DIMENSIONS ARE IN MILLIMETRES UNLESS NOTED OTHERWISE

CITY OF GOSNELLS

2120 Albany Highway Gosnells 6110
PO Box 662, GOSNELLS 6990
WESTERN AUSTRALIA

Telephone 08 9397 3000
Facsimile 08 9397 3333
Online www.gosnells.wa.gov.au

STANDARD DRAWING			
SUBSOIL DRAINAGE DETAIL			
DESIGN MB	DRAWN YS	DRAWING A3	MANAGER TECHNICAL SERVICES
SCALE AS SHOWN	CHECKED MB	DATE 30/11/09	M.BOTTE

STANDARD DRAWING NUMBER
ES-19-11

MANAGER TECHNICAL SERVICES
M.BOTTE 4/2/15