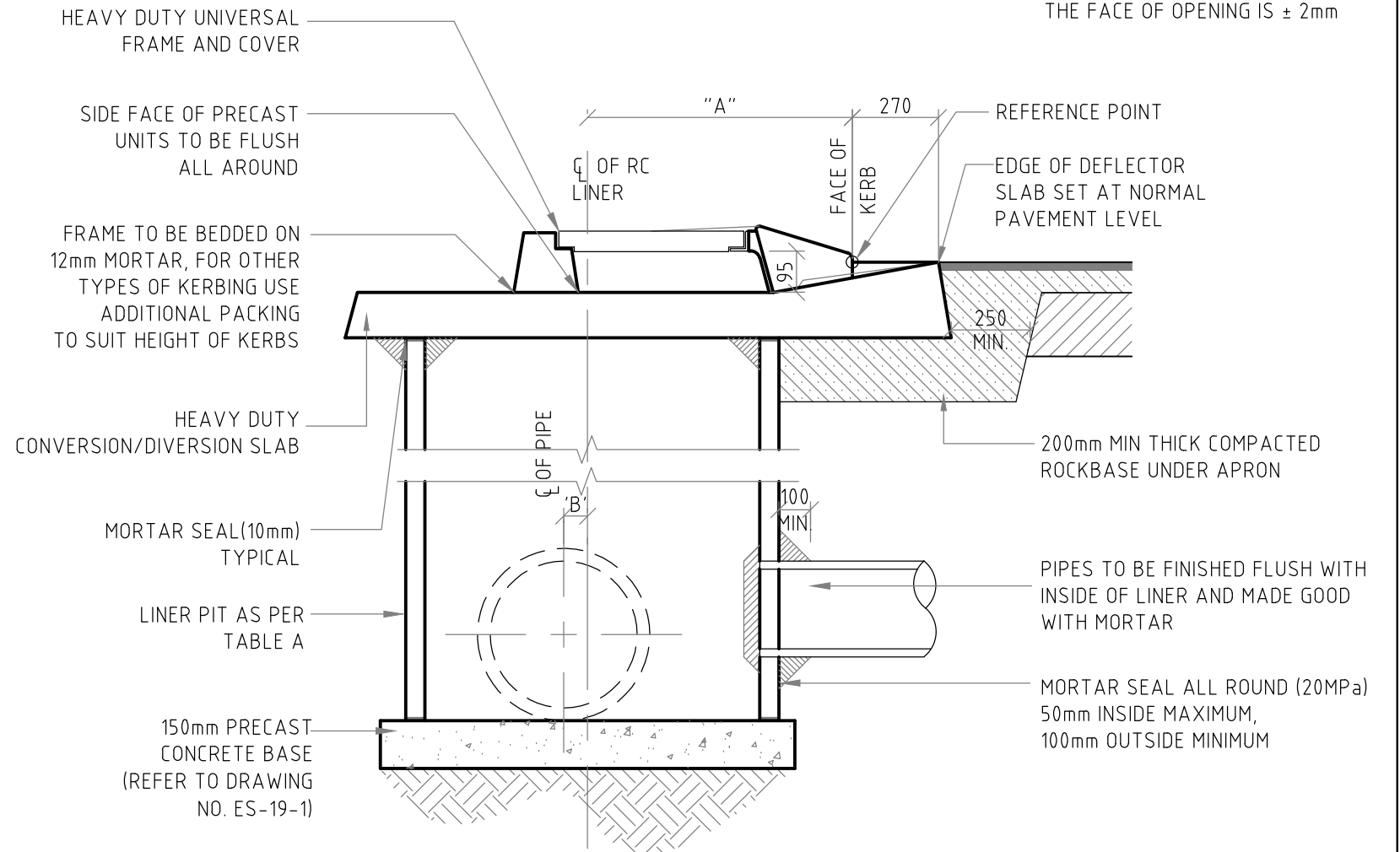


PLAN
SCALE 1:20



SECTION A
SCALE 1:20

- NOTES:**
- (A) THE CLEAR OPENING IS 95 ±15mm
 - (B) THE MAX. DEVIATION ACROSS THE FACE OF OPENING IS ± 2mm

TABLE A

PIPE SIZE	NOMINAL Ø CLASS "2" RC LINER	DIMENSION 'A'	DIMENSION 'B'	PIPE ALIGNMENT (A&B)
300-450	1050	830	70	900
525-675	1200	900	0	900
750	1050 #	830	220	1050
900-1050	1050 #	830	370	1200
1200	1050 #	830	520	1350

NOTES:

1. CONCRETE TO BE 20mm NOMINAL AGGREGATE AND HAVE A MINIMUM STRENGTH AT 28 DAYS OF:
PRE CAST UNIT: 40MPa
INSITU BASE : 20MPa U.O.N.
2. STEP IRONS TO BE INSTALLED IN ACCORDANCE WITH CITY OF GOSNELLS' REQUIREMENTS
3. SUBGRADE TO BASE SHALL BE COMPACTED TO 95% MMDD BEFORE PLACING BASE
4. WHERE SPECIFIED BY THE CITY, UNBENCHED MANHOLE BASE TO BE 600mm BELOW LOWEST INVERT LEVEL
5. A HEADER COURSE SHALL BE LAID EVERY 5 COURSES ON BRICKWORK
6. WHERE MULTIPLE PIPES ARE TO BE INSTALLED CONSIDER BRICK CHAMBER
7. IN HIGH GROUNDWATER AREAS THE BASE AND PIT MUST BE SEALED

AMENDMENTS	REVISION	DATE	DESCRIPTION	BY	CHECKED	APPROVED
	6	21/10/2021	MISSING REFERENCE POINT RESTORED	MJJ	AT	SA
	5	23/5/2017	UPDATE TABLE A	SA	GL	

GENERAL NOTES

1. THIS DRAWINGS ALWAYS REMAINS THE PROPERTY OF THE CITY OF GOSNELLS AND MUST NOT BE RETAINED OR REPRODUCED WITHOUT PERMISSION
2. IN THE ABSENCE OF THE APPROVED SIGNATURE (ie MANAGER TECHNICAL SERVICES) THIS DRAWING SHALL BE TREATED AS PRELIMINARY
3. ALL DIMENSIONS ARE IN MILLIMETRES UNLESS NOTED OTHERWISE

CITY OF GOSNELLS

2120 Albany Highway Gosnells 6110
PO Box 662, GOSNELLS 6990
WESTERN AUSTRALIA

Telephone 08 9397 3000
Facsimile 08 9397 3333
Online www.gosnells.wa.gov.au

STANDARD DRAWING
SIDE ENTRY PITS

DESIGN	VM	DRAWN	GL	DRAWING	A3
SCALE	1:20	CHECKED	MB	DATE	26/07/06

STANDARD DRAWING NUMBER
ES-19-3

MANAGER TECHNICAL SERVICES
M.BOTTE 4/2/15
M.BOTTE